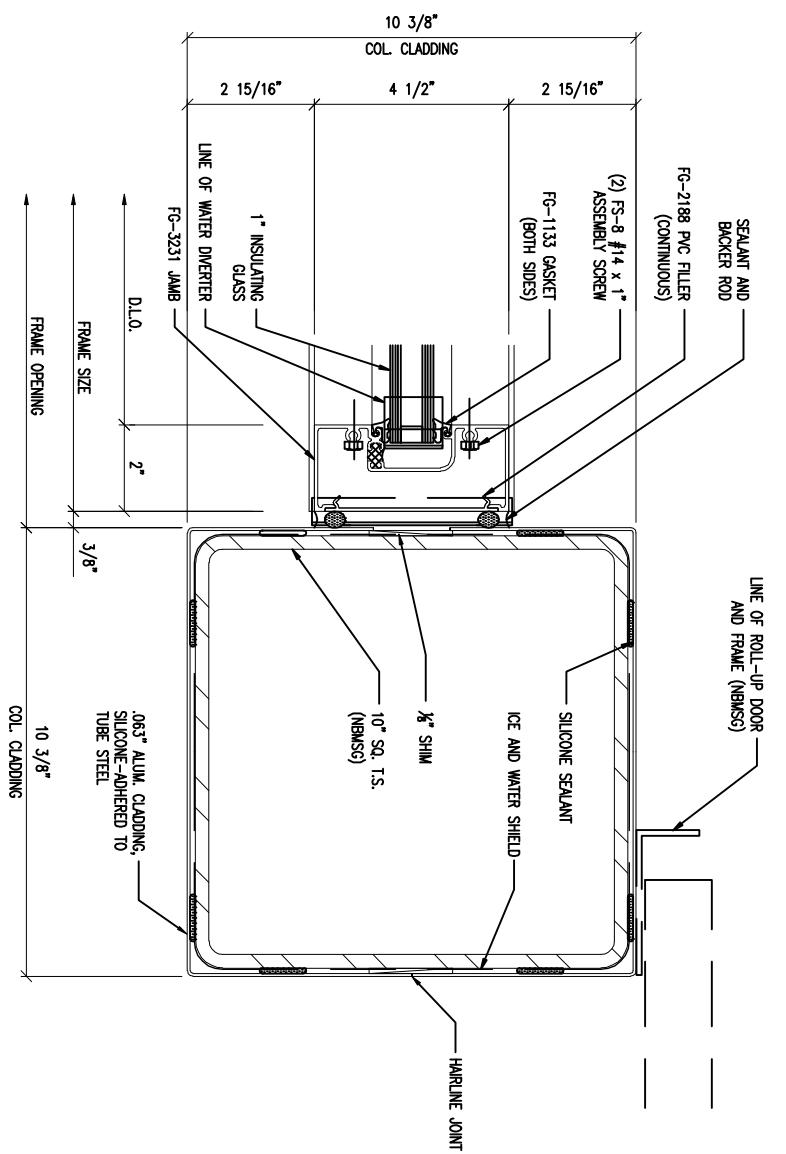
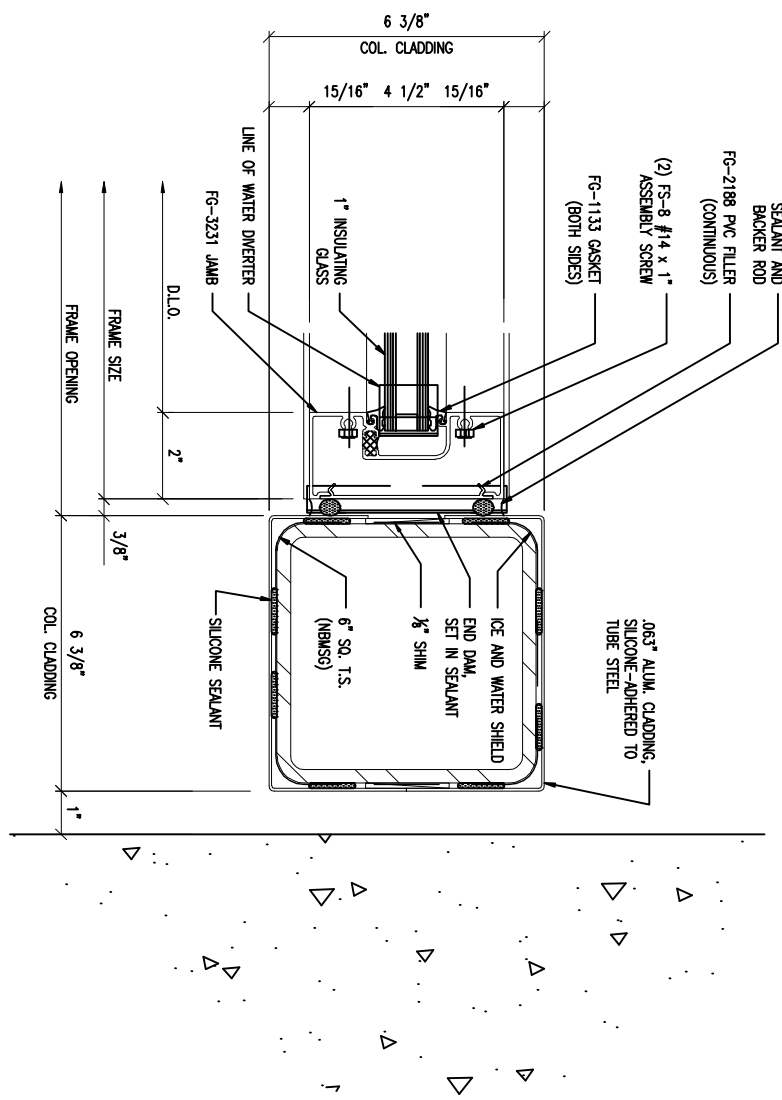


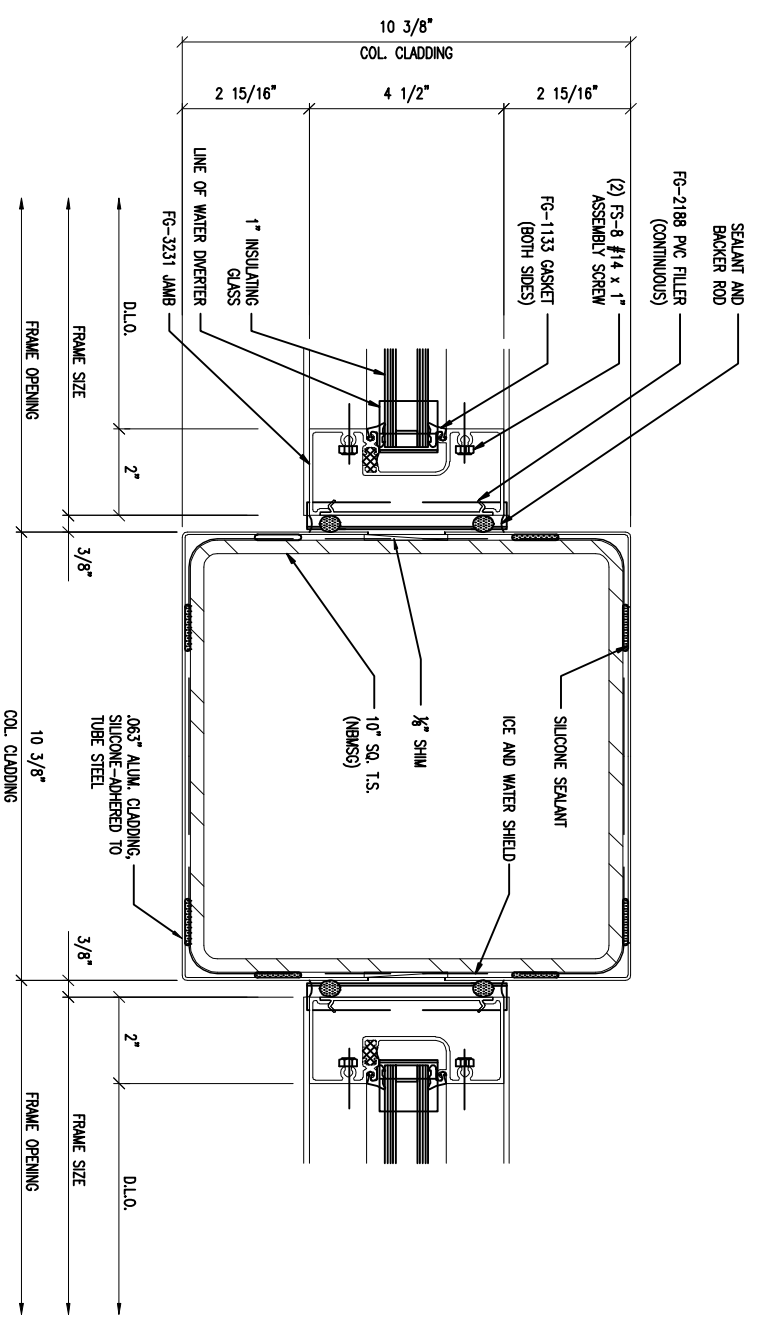
34 JAMB DETAIL AT SLIDING DOOR ENTRANCE  
 REFERENCE: -  
 SCALE: 1/2 F.S.



36 JAMB DETAIL AT ROLL-UP DOOR  
 REFERENCE: -  
 SCALE: 1/2 F.S.



35 JAMB DETAIL AT WALL  
 REFERENCE: -  
 SCALE: 1/2 F.S.



37 JAMB DETAIL  
 REFERENCE: -  
 SCALE: 1/2 F.S.

SUBMITTALS / REVISIONS	
REV.	DATE: DESCRIPTION

DRAWN BY	
PROJECT MANAGER	
DATE	
SCALE	
JOB NUMBER	
SHEET	